

st. cloud window

SCW4500 Storefront & Entrance System



- Cutting Edge Design
 - Glass-reinforced polyamide thermal break
 - Factory assembled or Knocked down options
- Engineering and Design Assistance available



st. cloud window

390 Industrial Blvd, Sauk Rapids, MN 56379
800.393.9311 | www.stcloudwindow.com

St. Cloud Window storefront and entrance system provides thermal efficiency for the entire building envelope.

Glass-reinforced polyamide thermal struts provide the highest performing thermal barrier system, numerous shapes and profile choices, and split finish options.

Factory-assembled system is delivered ready for install. Also available as a knock-down (KD) option.

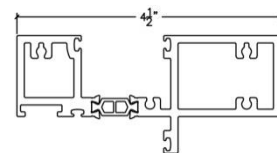
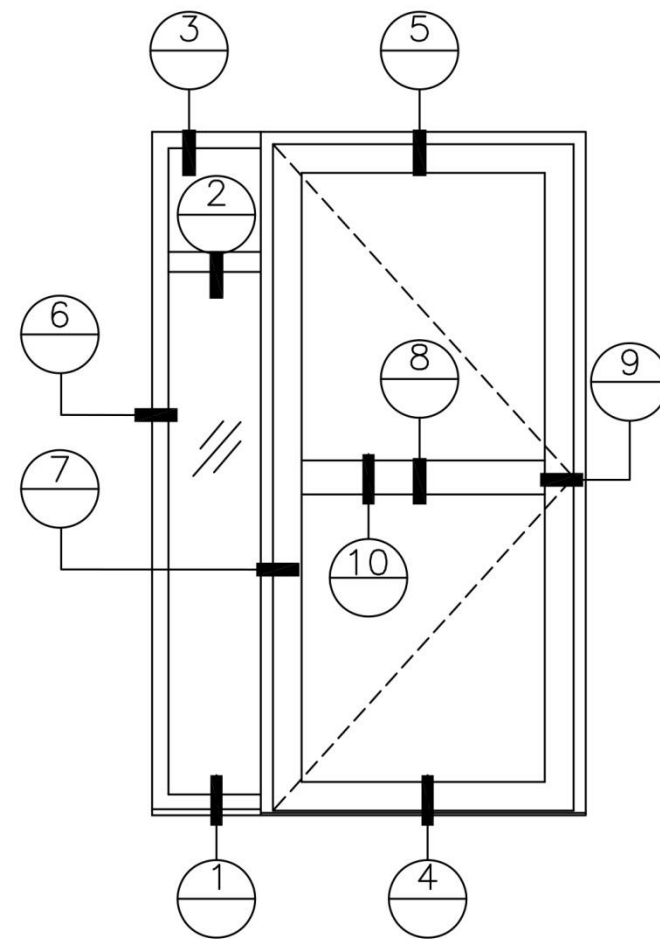
The system creates a single source package to fully integrate with other St. Cloud Window products.

Features

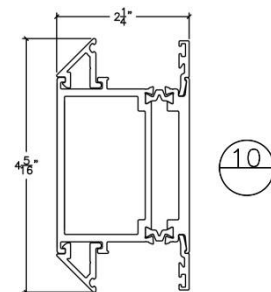
- Frame depth 4.5"
- Wall Thickness 0.125"
- 6063-T6 Aluminum alloy
- Thermal barrier: PA-66 Insulbar structural strut
- Weather stripping: Integral 100% woven pile for minimal air infiltration
- Extruded aluminum alignment keys to maximize strength
- Integral weep system for superior water penetration resistance
- High performance 70% Kynar (AAMA 2605) paint, Class I anodized finishes
- Vertical or horizontal mullion options to meet design specifications and for added strength
- Exterior profiles customized for specific historic requirement

Glazing

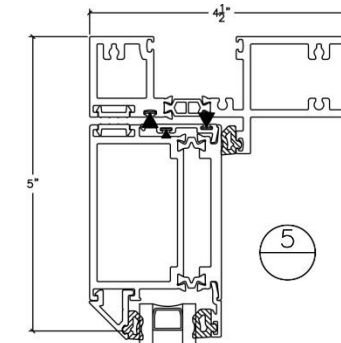
- 1" overall thick IG glass, factory glazed



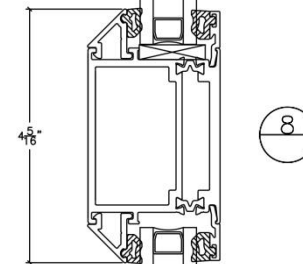
DOOR FRAME



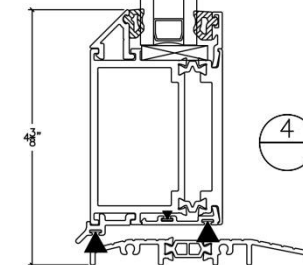
DOOR MEETING RAIL



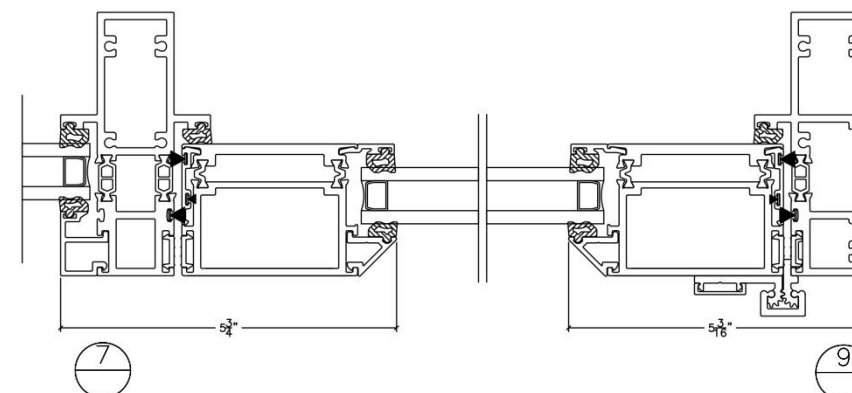
5



8



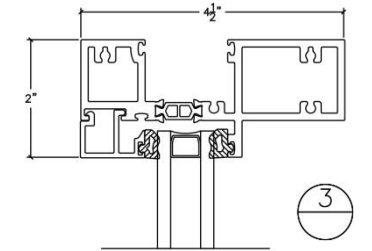
4



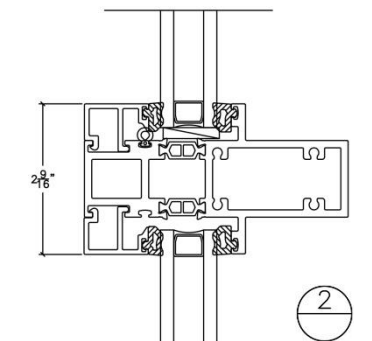
7

9

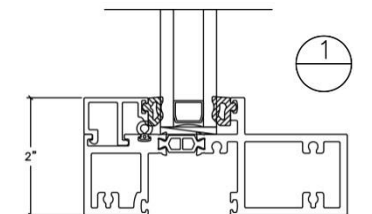
ENTRANCE DOOR



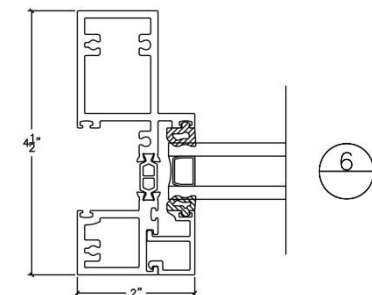
3



2



1



6

STOREFRONT

SCW4500 Storefront & Entrance System

Optional Features

- **Profiles:** Exterior panning in custom shapes, interior trims, and mullions
- **Glazing:** High performance, double, and triple insulated glass as well as tints, low-e, tempered, and laminated
- **Finish:** Anodized or high performance paint finishes, unlimited colors, dual/split colors and finishes
- **Accessories:** Simulated divided lite muntin grids, rail fins, acoustic seals, and hardware



st. cloud window

390 Industrial Blvd, Sauk Rapids, MN 56379
800.393.9311 www.stcloudwindow.com